

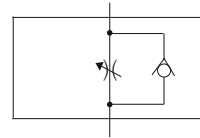
Series **SP2000**

Speed Controller – Inline Type

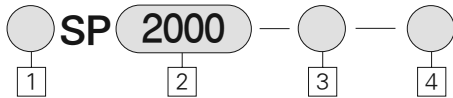


- RETAINER PREVENTS ACCIDENTAL LOSS OF NEEDLE
- COMPACT SIZE SAVES SPACE
- SPEED SHALL ACCURATELY CONTROLLED EVEN AT LOW SPEED
- LOCK NUT
- COPPER FREE TYPE FOR THE ELECTRONIC INDUSTRY (OPTION)

Symbol



How to Order



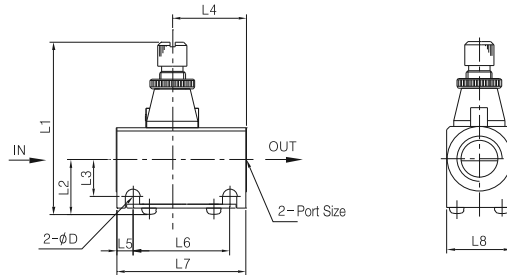
1 Blank : Rc(PT)
U : NPT

2 Body Size
2000 : 1/4

3 Port Size
02 : 1/4

4 Application
Blank : Standard Type
X2 : Copper Free Type

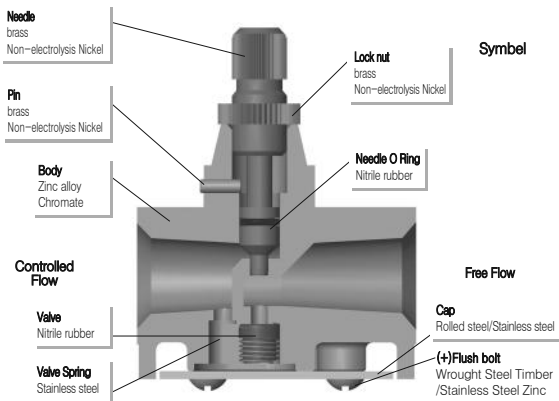
Dimensions



Dimensions

Model	Port Size	L1		L2	L3	L4	L5	L6	L7	L8	D
		MAX	MIN								
SP2000-2	Rc(PT)/NPT 1/4	56	51.5	17	11.5	23	5	30	40	20	4.5

Construction



Model Specifications

Description	Specification
Fluid	Air
Proof Pressure	1.5Mpa(213.3psi)
Max. Operating Pressure	1.0Mpa(140.8psi)
Min. Operating Pressure	0.05Mpa(7.1psi)
Ambient and Fluid Temperature	5~60°C(41~140°F)
Number of Needle Rotations	Max. 8turns