

Coils - Cnomo Type - Not For ATEX

Technical information

Type:	DIN A
Electrical standards:	EN 60335-1 EN 60730-1
Pull-in power:	Approx. 1.5 x nominal (AC)
Insulation class:	F (155°C)
Duty cycle:	Continuous 100%
Copper enamelled wire:	Temperature class H (200°C)
Bobbin materials:	PA 6.6
Electrical connections:	3 spade connectors (6.3 x 0.8 DIN 46247)



Power	Nominal resistance [Ω]	Nominal current [mA]	Return power	Pull-in/drop-out time	Voltage	Order code
(DC Version) approx. 2 W	67	179	0.1 W	15 - 20 ms	12	76.411.00.01
	270	89			24	76.411.00.02
	1060	45			48	76.411.00.03
	4850	23			110	76.411.00.04
(AC Version) approx. 5.0 / 4.2 VA (50/60Hz)	34	208/175	1.2 VA	15 - 20 ms	24	76.411.02.12
	135	104/88			48	76.411.02.13
	780	46/38			110	76.411.02.14
	3100	23/19			230	76.411.02.15

Plugs - Not For ATEX

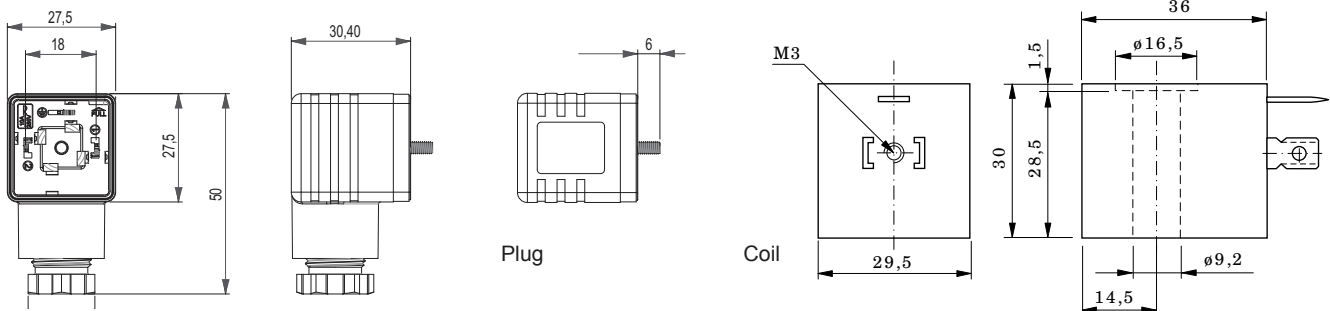
Technical information

Type:	DIN 43650 type A
Contact resistance:	≤5 mΩ
Cable screw connection:	Pg 9
Protection class:	IP 65 with f at gasket.



Casing/colour	LED	Wire cross section	Nominal current	Nominal voltage	Ambient temperature	No. of poles	Order code
PA6 GF/black	None	max 1.5mm ²	10 A	250V AC/DC	-40°C to +100°C	2+ ground (earth position H12)	PAP.00.N000
PA12/transparent	Yellow		4 A	24V AC/DC	-20°C to +80°C		PAP.00.Y024
PA12/transparent	Yellow		4 A	115V AC	-20°C to +80°C		PAP.00.Y115
PA12/transparent	Yellow		4 A	230V AC	-20°C to +80°C		PAP.00.Y230

Dimensional drawings



Manifolds & Subplates

ISO 1 & 2 Subplates

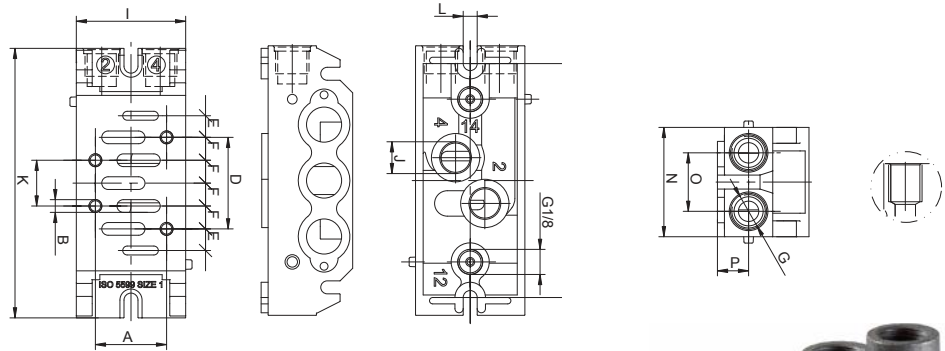
Modular Valve Subplates - For Multiple Assemblies



Description	Order code
ISO 1 subplate includes accessories (end plates required)	76.420.00.93
ISO 2 subplate includes accessories (end plates required)	76.420.00.14

Subplates	A	B	C	D	E	F	G	H	I	J	K
ISO 1	28	M5	4.5	36	8.5	9	G 1/4	92	43	G 1/4	106
ISO 2	38	M6	7	48	10	12	G 3/8	102	56	G 3/8	120

Dimensional drawings



End Plates

Description	Order code
ISO 1 end plate (two required per manifold) includes accessories	76.420.00.75
ISO 2 end plate (two required per manifold) includes accessories	76.420.00.85
ISO 1 separation module/closed endplate includes accessories	76.420.00.27
ISO 2 separation module/closed endplate includes accessories	76.420.00.28



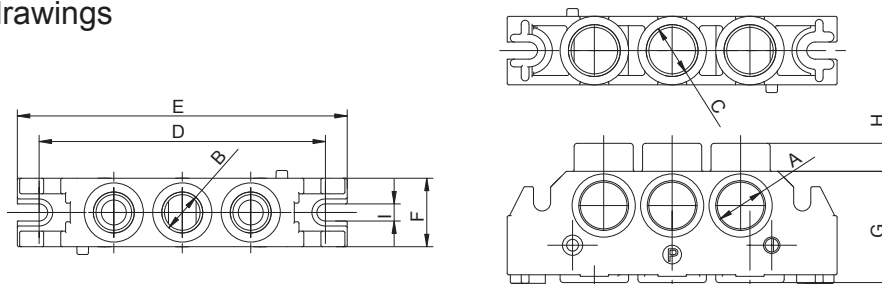
End Plates	A	B	C
ISO 1	G 3/8	G 1/4	G 3/8
ISO 2	G 1/2	G 1/4	G 1/2

Multiple connection possibilities are available, each end plate is provided with blocked threaded ports, simply break through the respective port required.

Separation Modules	A	B	C	D	E	F
ISO 1	92	106	22	36	8	5.5
ISO 2	102	120	29	43	7	6.5

Separation modules do not have threaded ports, all ports are closed, they can also be used as a closed endplate.

Dimensional drawings



Manifolds & Subplates

ISO 1 & 2 Subplates

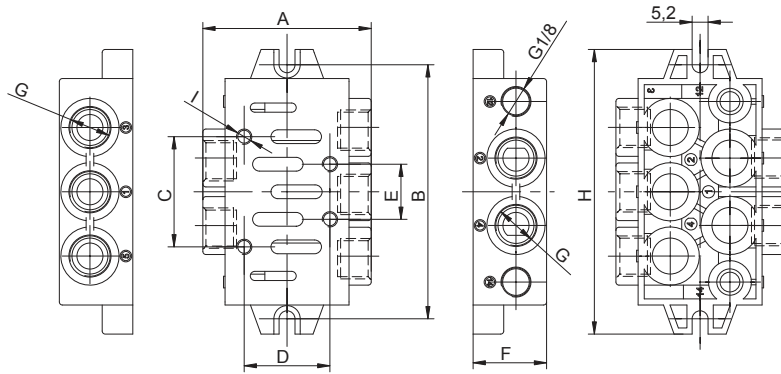
Single Subplates - For Individual Valves



Description	Order code
ISO 1 individual subplate	76.420.00.11
ISO 2 individual subplate	76.420.00.12

Subplates	A	B	C	D	E	F	G	H
ISO 1	56	82.5	36	28	18	24	G 1/4	92.5
ISO 2	65	100.5	48	38	24	30	G 3/8	112.5

Dimensional drawings



ISO 2 Air Pilot Operated Pneumatic Valves

5/2 Way Double Pilot Control Valve

Technical information

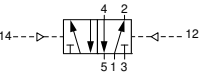
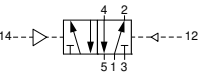
Pressure range:	2.5-10 bar
Control pressure:	2.5-10 bar
Temperature range:	-15°C...+50°C
Housing:	Die-cast and lacquered aluminium alloy
Seals:	NBR
Lubricant:	Not required.
Operating medium:	5 micron filtered, lubricated or non-lubricated compressed air.



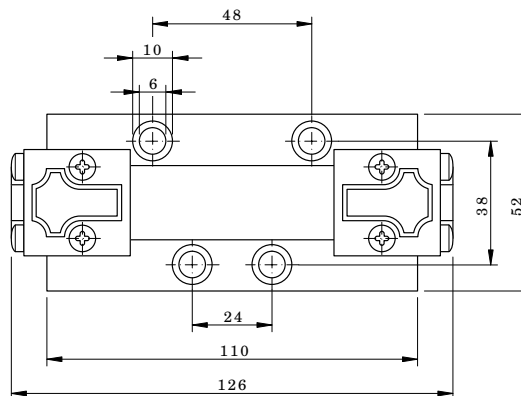
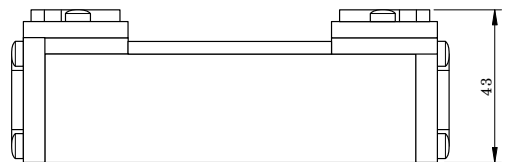
Other information



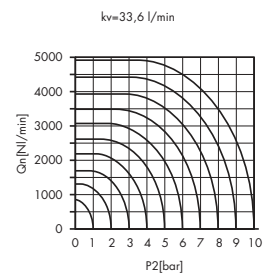
For ATEX certification use suffix code "EX" for example 76.XXX.XX.XX.EX
Subplates are available for this product, see data sheets M1004 & M1005.

Symbol	Description	Type	Orifice	Order code
	5/2 way double pilot	Poppet	8mm	76.097.71.42
	5/2 way double pilot	Spool	8mm	76.093.71.42
	5/2 way double pilot with priority	Poppet	8mm	76.097.71.47
	5/2 way double pilot with priority	Spool	8mm	76.093.71.47

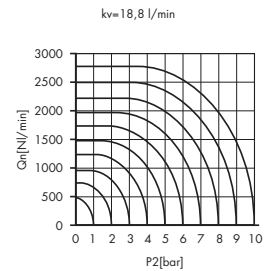
Dimensional drawings



Flow rate orifice poppet type



Flow rate orifice spool type



ISO 2 Air Pilot Operated Pneumatic Valves

5/3 Way Double Pilot Control Valve

Technical information

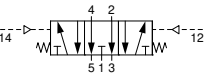
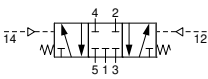
Pressure range:	2.5-10 bar
Control pressure:	2.5-10 bar
Temperature range:	-15°C...+50°C
Housing:	Die-cast and lacquered aluminium alloy
Seals:	NBR
Lubricant:	Not required.
Operating medium:	5 micron filtered, lubricated or non-lubricated compressed air.



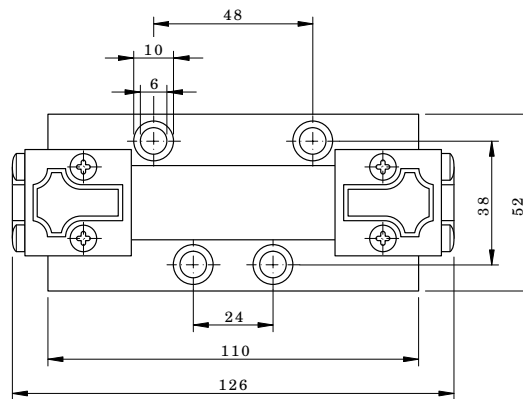
Other information



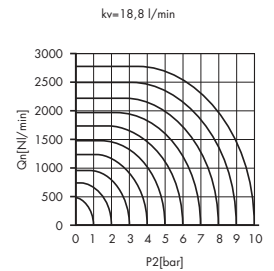
For ATEX certification use suffix code "EX" for example 76.XXX.XX.XX.EX
Subplates are available for this product, see data sheets M1004 & M1005.

Symbol	Description	Type	Orifice	Order code
	5/3 way spring return to centre all ports open	Spool	8mm	76.094.71.28
	5/3 way spring return to centre all ports closed	Spool	8mm	76.094.71.38

Dimensional drawings



Flow rate orifice spool type



ISO 2 Solenoid Operated Pneumatic Valves

5/2 Way Double Solenoid Control Valve - Cnomo Coil

Technical information

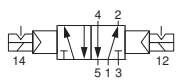
Pressure range:	2.5-10 bar
Temperature range:	-15°C...+50°C
Housing:	Die-cast and lacquered aluminium alloy
Seals:	NBR
Lubricant:	Not required.
Earthing contact:	Part of the standard device.
Operating medium:	5 micron filtered, lubricated or non-lubricated compressed air.



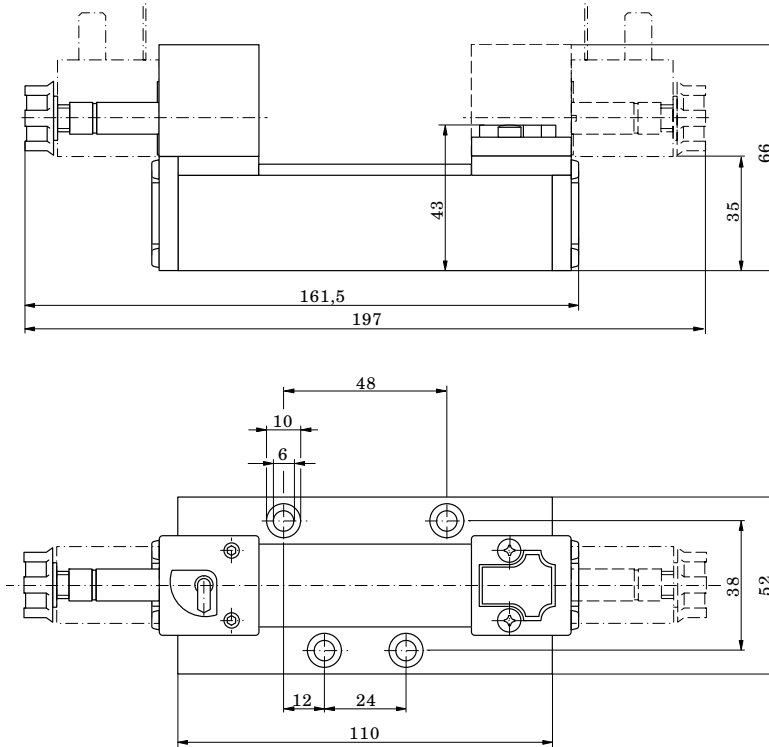
Other information



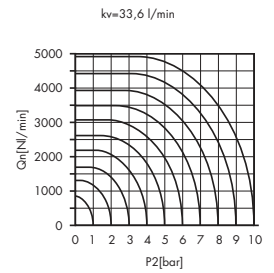
For ATEX certification use suffix code "EX" for example 76.XXX.XX.XX.EX
Subplates are available for this product, see data sheets M1004 & M1005.
Order coils & connecting plugs separately, see data sheet M1003.

Symbol	Description	Type	Orifice	Order code
	5/2 way double solenoid	Poppet	8mm	76.097.98.00
	5/2 way double solenoid	Spool	8mm	76.093.98.00

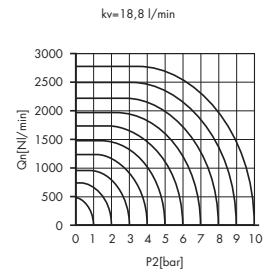
Dimensional drawings



Flow rate orifice poppet type



Flow rate orifice spool type



ISO 2 Solenoid Operated Pneumatic Valves


5/3 Way Double Solenoid Control Valve - Cnomo Coil

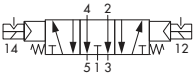
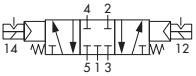
Technical information

Pressure range:	2.5-10 bar
Temperature range:	-15°C...+50°C
Housing:	Die-cast and lacquered aluminium alloy
Seals:	NBR
Lubricant:	Not required.
Earthing contact:	Part of the standard device.
Operating medium:	5 micron filtered, lubricated or non-lubricated compressed air.

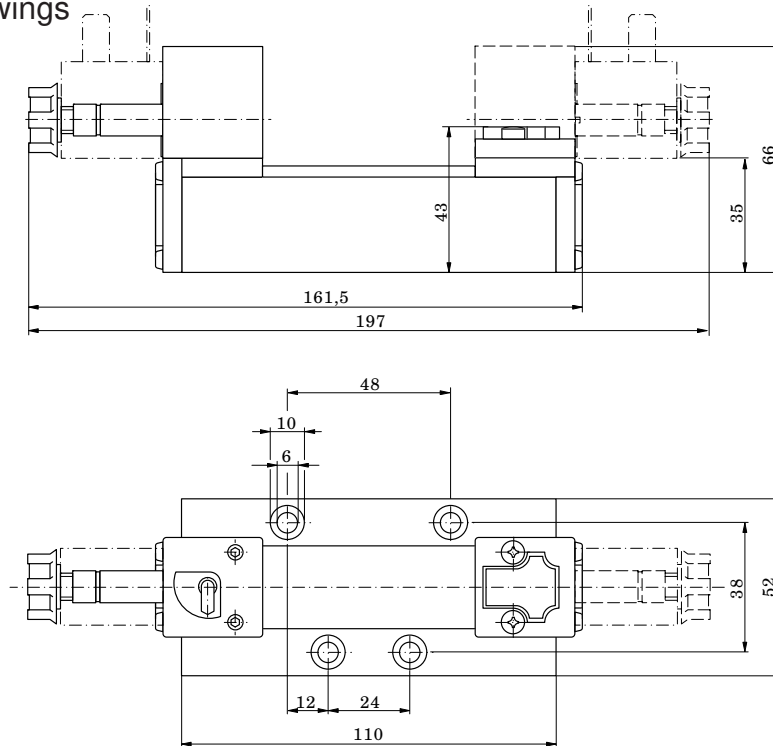


Other information

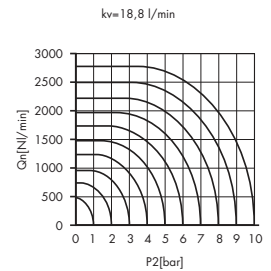
 For ATEX certification use suffix code "EX" for example 76.XXX.XX.XX
 Subplates are available for this product, see data sheets M1004 & M1005.
 Order coils & connecting plugs separately, see data sheet M1003.

Symbol	Description	Type	Orifice	Order code
	5/3 way spring return to centre all ports open	Spool	8mm	76.094.08.00
	5/3 way spring return to centre all ports closed	Spool	8mm	76.094.18.00

Dimensional drawings



Flow rate orifice spool type



ISO 2 Air Pilot Operated Pneumatic Valves

5/2 Way Single Pilot Control Valve

Technical information

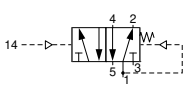
Pressure range:	2.5-10 bar
Control pressure:	2.5-10 bar (port 14 \geq port 1 pressure)
Temperature range:	-15°C...+50°C
Housing:	Die-cast and lacquered aluminium alloy
Seals:	NBR
Lubricant:	Not required.
Operating medium:	5 micron filtered, lubricated or non-lubricated compressed air.



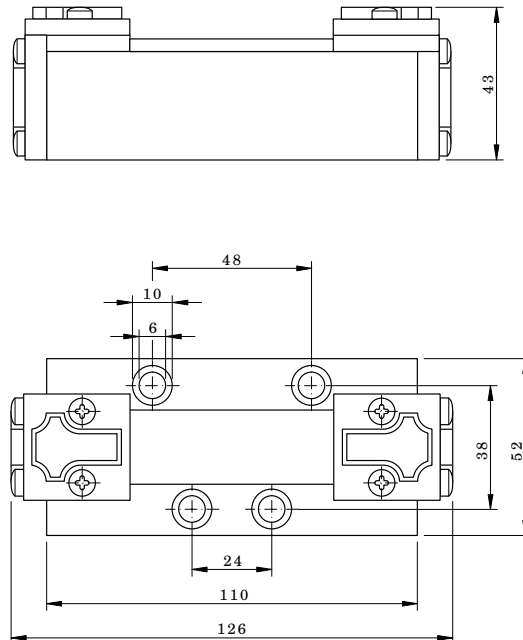
Other information



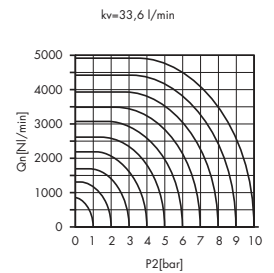
For ATEX certification use suffix code "EX" for example 76.XXX.XX.XX.EX
Subplates are available for this product, see data sheets M1004 & M1005.

Symbol	Description	Type	Orifice	Order code
	5/2 way spring return	Poppet	8mm	76.097.71.41
	5/2 way spring return	Spool	8mm	76.093.71.41

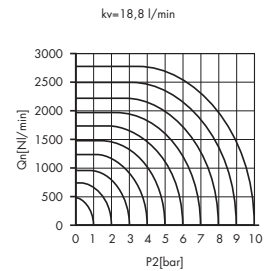
Dimensional drawings



Flow rate orifice poppet type



Flow rate orifice spool type



ISO 2 Solenoid Operated Pneumatic Valves


5/2 Way Single Solenoid Control Valve - Cnomo Coil

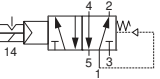
Technical information

Pressure range:	2.5-10 bar
Temperature range:	-15°C...+50°C
Housing:	Die-cast and lacquered aluminium alloy
Seals:	NBR
Lubricant:	Not required.
Earthing contact:	Part of the standard device.
Operating medium:	5 micron filtered, lubricated or non-lubricated compressed air.

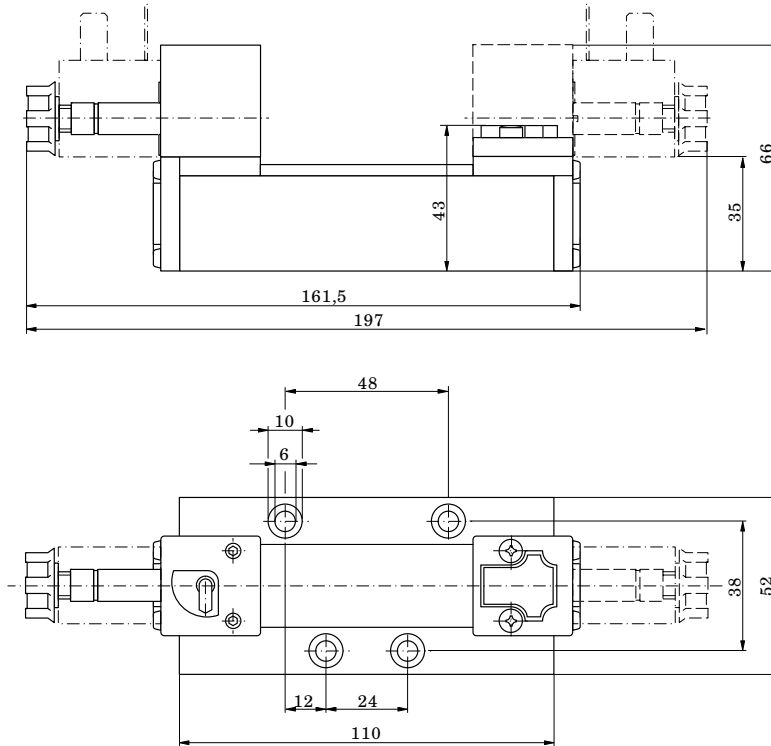


Other information

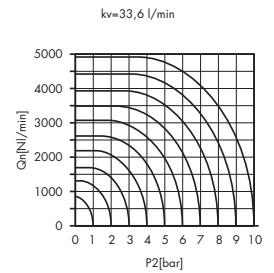
 For ATEX certification use suffix code "EX" for example 76.XXX.XX.XX.EX
Subplates are available for this product, see data sheets M1004 & M1005.
Order coils & connecting plugs separately, see data sheet M1003.

Symbol	Description	Type	Orifice	Order code
	5/2 way spring return	Poppet	8mm	76.097.97.00
	5/2 way spring return	Spool	8mm	76.093.97.00

Dimensional drawings



Flow rate orifice poppet type



Flow rate orifice spool type

